

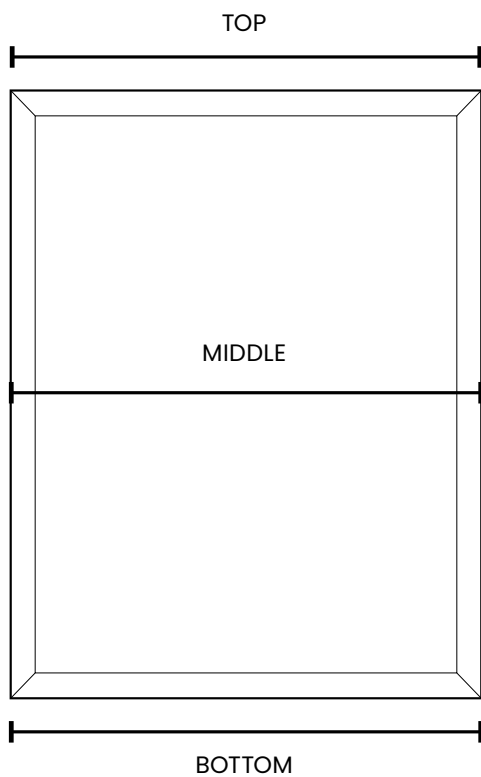
Measuring Guides

DRAPERY & HARDWARE

SHADE  LOVE

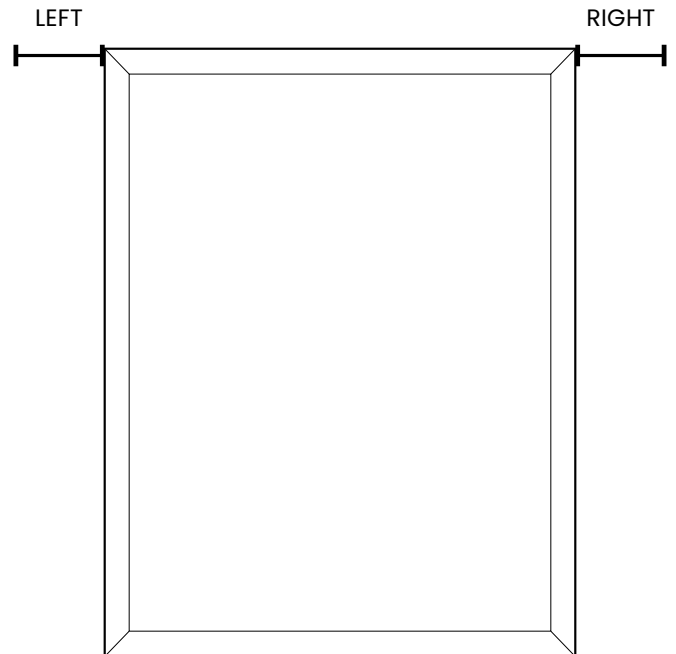
Step 1

Measure the window's width horizontally, spanning from the outer edge to the outer edge, at three points: the top, middle, and bottom. Then, round down to the nearest 1/8 of an inch.



Step 2

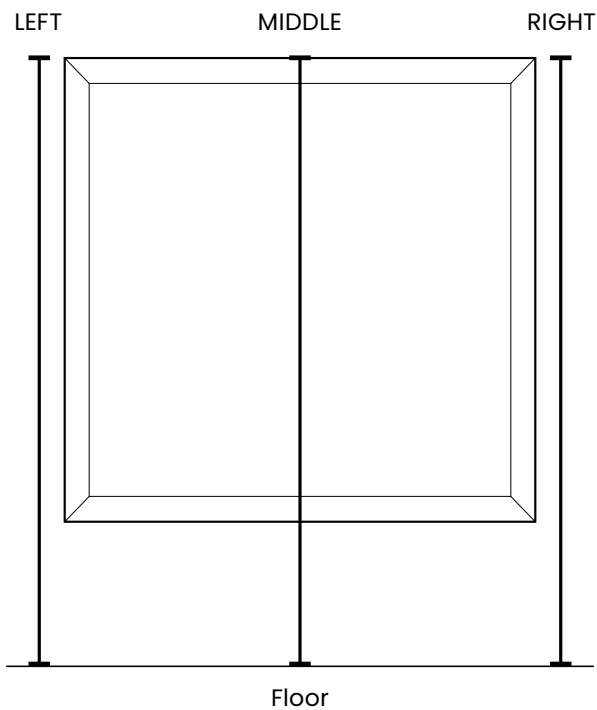
Next step is to determine the stack. Stack width refers to the extra width that extends beyond your window, ensuring the drapery panels do not obscure the window when open, while also creating the illusion of a larger window. We recommend a 10-inch stack width on each side if there's enough space.



NOTE: If you already have a rod in place, the stack width = $(\text{rod length} - \text{window width})/2$

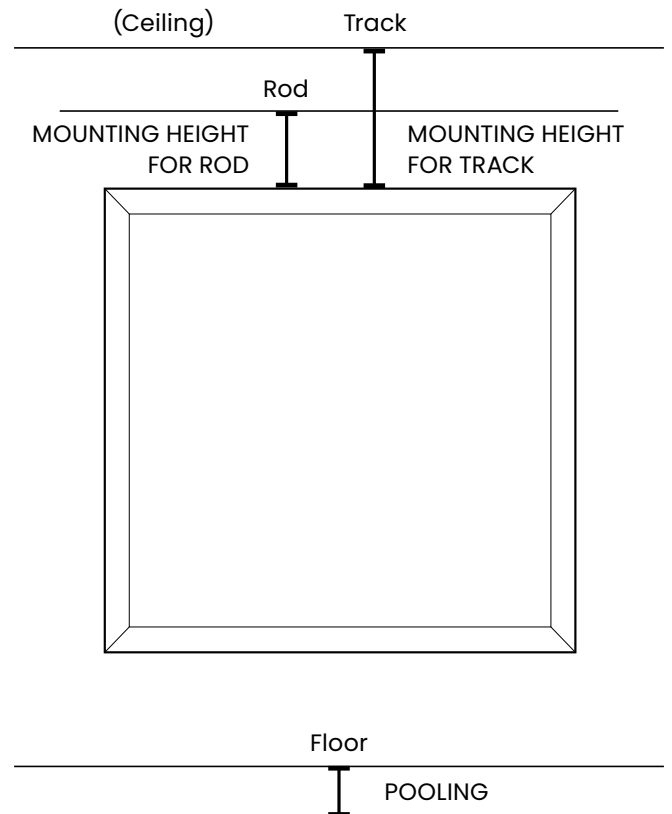
Step 3

Measure the vertical length of your window from the outside top edge down to the floor at three points: left, center, and right. Then, round down to the nearest 1/8 of an inch.



Step 4

Determine the extra mounting height above your window. We suggest a clearance of 8 to 10 inches above the top of the window frame if space allows.



NOTE: If you already have a rod or track in place, the drape length is measured from the bottom of the rings to the floor.

