

Installation Guides

ROLLER SHADES WITH MOTORIZATION

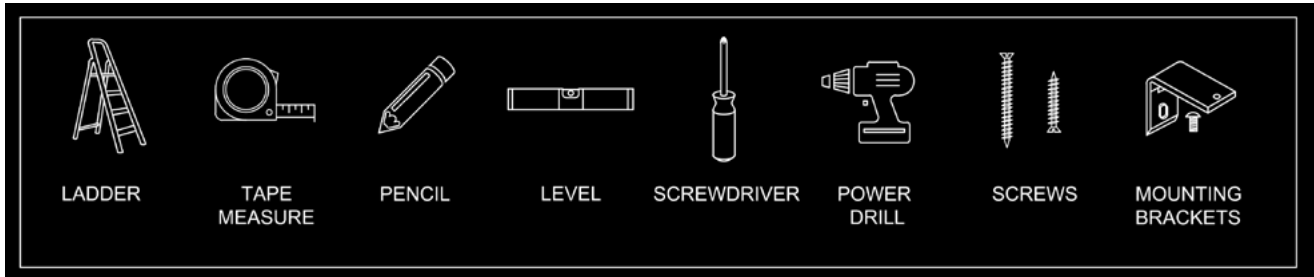
SHADE  LOVE

Installing Shade Love Roller Shades



Thanks for choosing Shade Love Roller Shades. Prior to installation, we recommend that you thoroughly review this manual. Should you need further assistance, please feel free to contact us at info@shade-love.com.

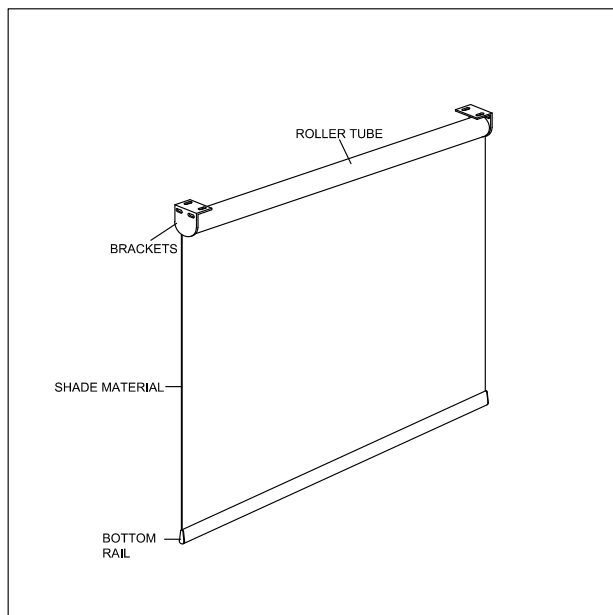
Gather your tools



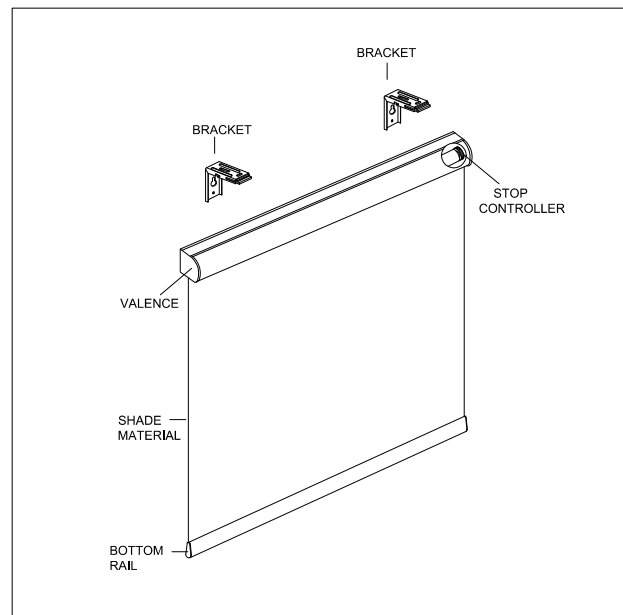
Preparation

First, organize your hardware by window and confirm that all parts are present. Then, proceed to installation. Be sure to reference the guidelines below. We recommend you read all guidelines that apply to your hardware before beginning installation.

SHADE WITH STANDARD ROLL



SHADE WITH VALENCE



Installation

STEP 1 Determine desired mounting location

Note: Ensure that the surface where you plan to mount your hardware is sturdy enough to support the brackets. If you're screwing directly into a surface this means locating wood studs that are strong enough to securely bond with the included screws. Otherwise, consider a secure fastener. Fasteners are not included because different surfaces require different fasteners.

For an inside mount, the mounting brackets will be installed onto the window frame while for an outside mount, the brackets will be installed onto the wall or ceiling above the window frame. *[Fig. 1]*

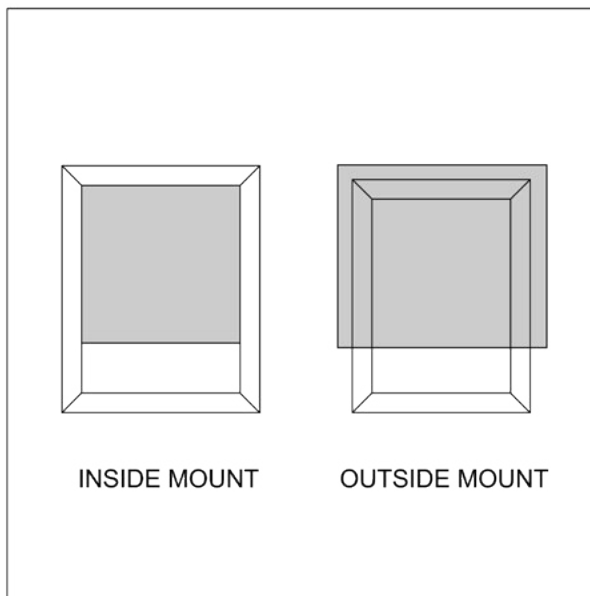


Fig. 1

STEP 2 Install the brackets

- A. Mount the brackets using 2 screws for each bracket.
- B. For inside mount, screw through the top of the bracket. For outside mount, screw through the backside of the bracket. [Fig. 2, Fig. 3, Fig. 4 and Fig. 5]

Note: Ensure that the brackets are level to avoid the fabric telescoping to one side which can damage the shade.

SHADE WITH STANDARD ROLL

Inside Mount

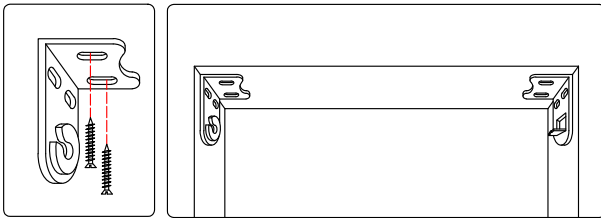


Fig. 2

Outside Mount

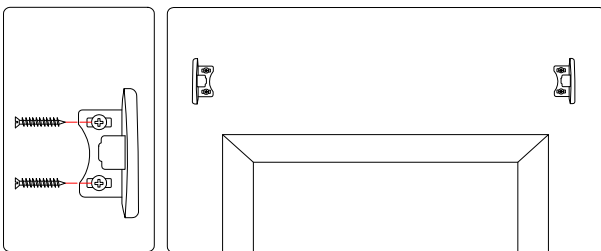


Fig. 3

SHADE WITH VALENCE

Inside Mount

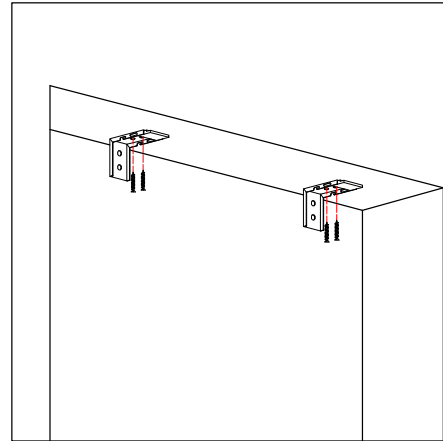


Fig. 4

Outside Mount

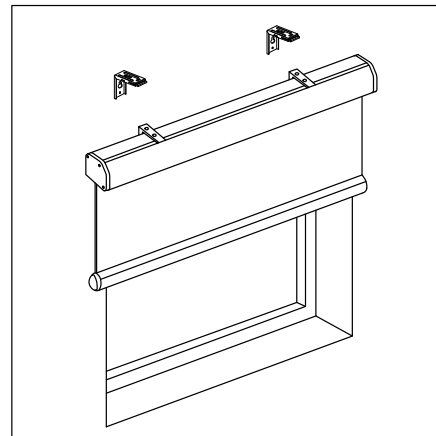


Fig. 5

STEP 3 Install the roller shade

A. Once the brackets are in place, proceed with the installation of the shade. [Fig. 6, 7, 8, 9]

SHADE WITH STANDARD ROLL

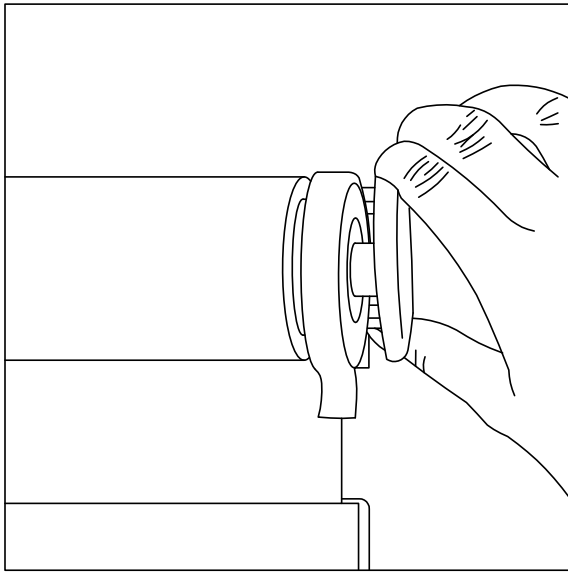


Fig. 6

SHADE WITH VALENCE

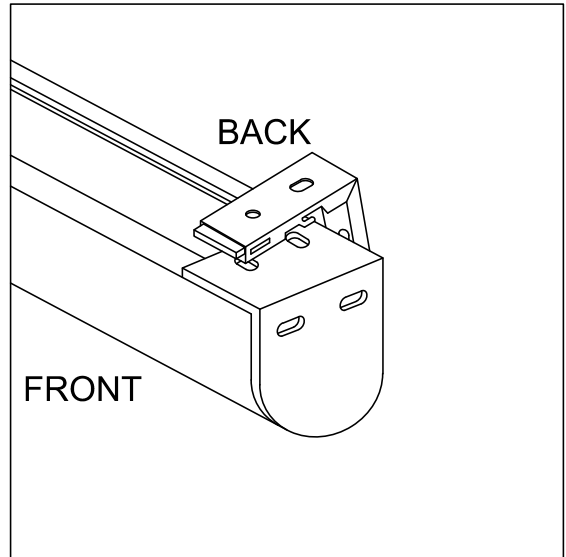


Fig. 8

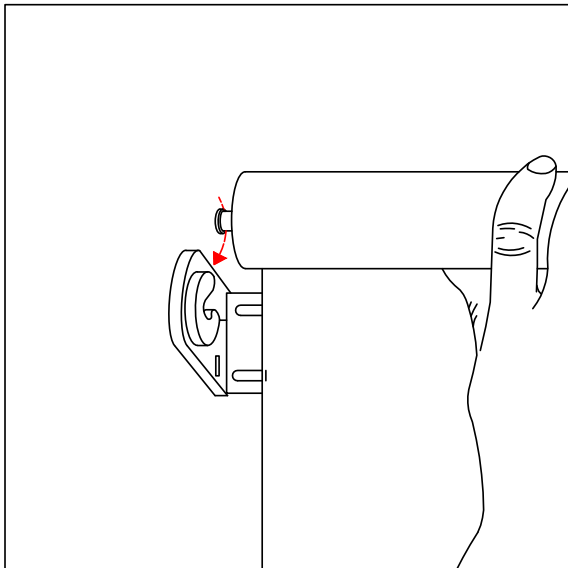


Fig. 7

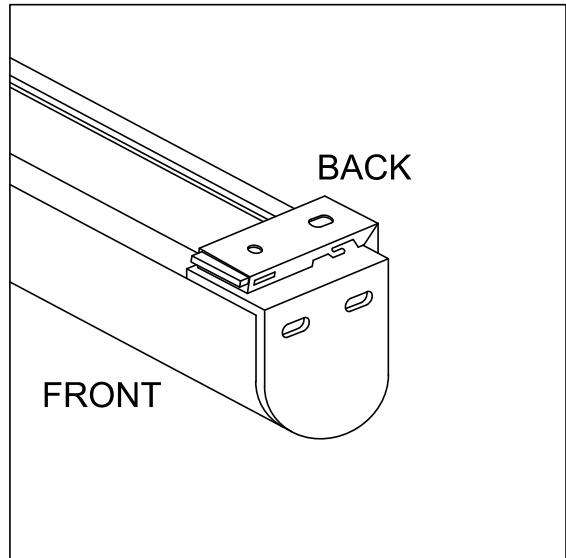


Fig. 9

STEP 4 Check the installation

- A. Check if the fabric is centered.
- B. Ensure the shade is horizontal.

STEP 5 Use remote to control the shade

BASIC FUNCTIONS OF THE MOTOR AND REMOTE

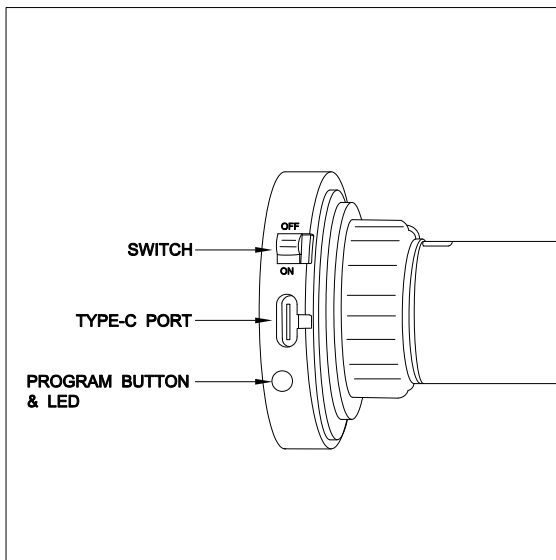


Fig. 10

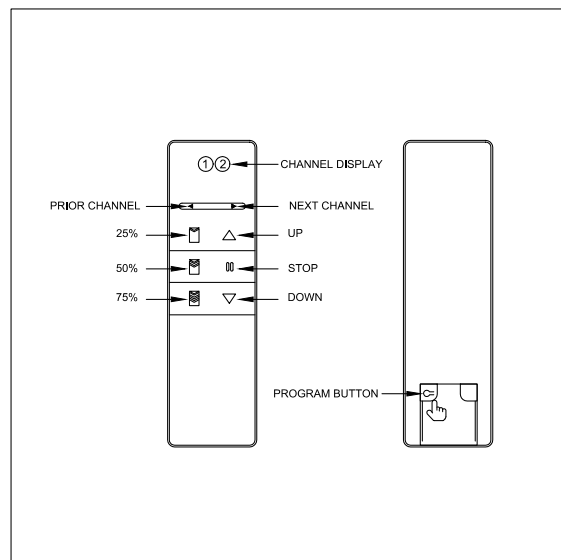


Fig. 11

Charge the motor and insert battery into remote

- A. Use the USB cord provided with the shade to charge the motor. Note: when the motor battery is low, the LED on the motor blinks.
- B. Open the back cover of the remote to insert the cell battery provided before use.

Power on/Wake up motor

The motor may jog twice when you turn it on, which is an indication that the network is not connected.

- A. Press and hold the motor program button for one second. When the red light turns on, the motor is now on.

Power off/Sleep motor

- A. To turn off the motor, press and hold the program button for seven seconds. When the red-light flashes three times, the motor is off.

Pairing the remote

- A. Select a channel for the remote control you would like to pair.
- B. Press the motor program button for one second, and the shade will jog once.
- C. Press the UP button on the remote, and the shade will jog again. The remote and the shade are now paired.

Setting the upper/lower limit position

- A. Press the program button on the back of the remote, then the shade motor will jog once.
- B. Press and hold the UP button on the remote to raise the shade to a desired position. Press the STOP button to stop the shade.
- C. Press the remote program button again. The shade motor jogs again. The upper limit position is saved.
- D. Press and hold the DOWN button to lower the shade to a desired position. Press the STOP button to stop the shade.
- E. Press the remote program button, then the shade motor will jog.
- F. Press the remote program button again, then the shade motor will jog again. The lower limit position is saved.

Setting the third limit position

The third limit position needs to be set after setting the upper and lower limit position.

- A. Press the program button on the back of the remote. Then the shade motor will jog once.
- B. Press and hold the UP or DOWN button on the remote to raise or lower the shade to a desired position. Press the STOP button to stop the shade.
- C. Press the remote program button, and the shade motor will jog.
- D. Press the remote program button again, then the shade motor jogs again. The third limit position is saved.

Adjust the limit position

- A. Press the program button on the back of the remote. Then the shade motor jogs once.
- B. Press and hold the UP or DOWN button on the remote to raise or lower the shade to a desired position. Press the STOP button to stop the shade.
- C. Press the remote program button. When the shade jogs, the limit position is adjusted.

Control multiple shades simultaneously

Please ensure each shade's upper and lower limits have been set before performing the following steps.

- A. Select a channel that you would like to use to control all the shades (a spare channel is recommended).
- B. Press the motor program button until the motor jogs. Then press the remote program button and the shade will jog again. The remote and the shade are now paired.
- C. The first shade has been assigned to the selected channel. Simply choose the same channel and repeat the steps above for additional shades that you would like to control simultaneously. All shades assigned to the same channel will operate simultaneously.

Convenient touch

You can easily control and move your shade to certain positions by following the steps below. Note that this works only after the upper and lower limits are set.

- A. Press 25% button, then the shade will move up to 25% of the programmed limit.
- B. 50% and 75% button works with the same step.

Delete remote memory

- A. Press the remote program button and the STOP button simultaneously for 4 seconds. The motor will jog which indicates that the remote memory has been erased.

Reset motor

- A. Press the motor program button for 3 seconds until the motor jogs.
- B. Release and then press the motor program button for 10 seconds until the motor jogs again. Now the motor has been reset.