

Installation Guides

CORDLESS ROLLER SHADES

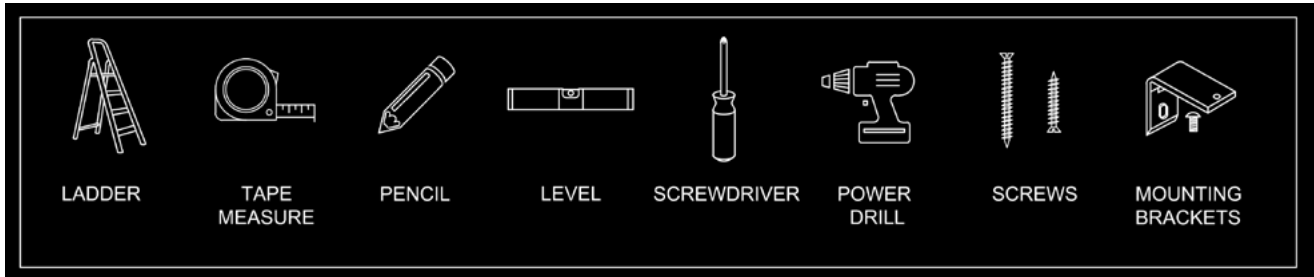
SHADE  LOVE

Installing Shade Love Roller Shades



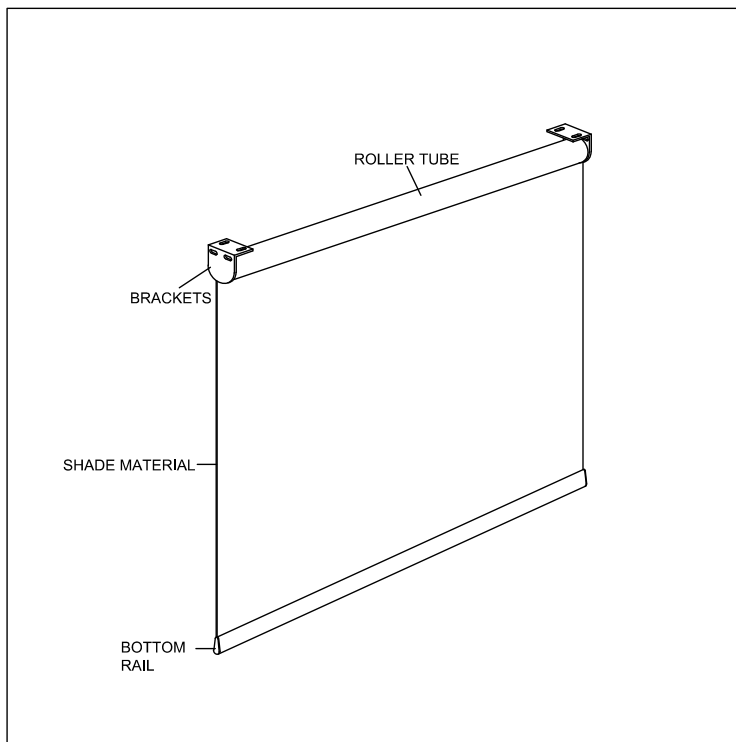
Thanks for choosing Shade Love Roller Shades. Prior to installation, we recommend that you thoroughly review this manual. Should you need further assistance, please feel free to contact us at info@shade-love.com.

Gather your tools



Preparation

First, organize your hardware by window and confirm that all parts are present. Then, proceed to installation. We recommend that you read all the instructions below before beginning installation.



Installation

STEP 1 Determine desired mounting location

Note: Ensure that the surface where you plan to mount your hardware is sturdy enough to support the brackets. If you're screwing directly into a surface this means locating wood studs that are strong enough to securely bond with the included screws. Otherwise, consider a secure fastener. Fasteners are not included because different surfaces require different fasteners.

- A. For an inside mount, the mounting brackets will be installed onto the window frame while for an outside mount, the brackets will be installed onto the wall or ceiling above the window frame. [Fig. 1]
- B. Use a pencil and the mounting brackets to mark the screw location. [Fig. 2]

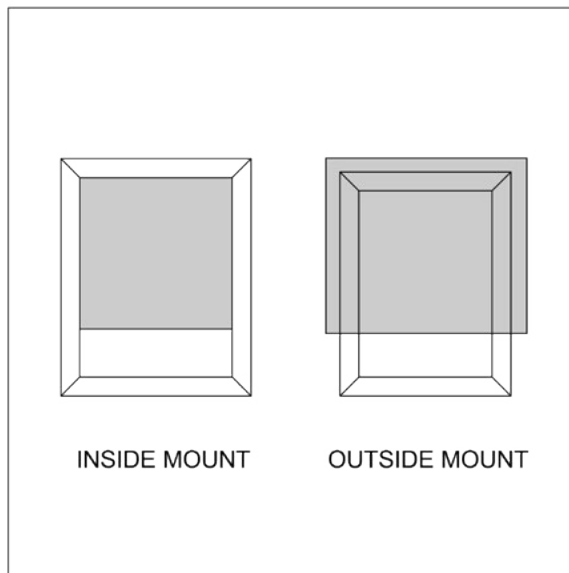


Fig. 1

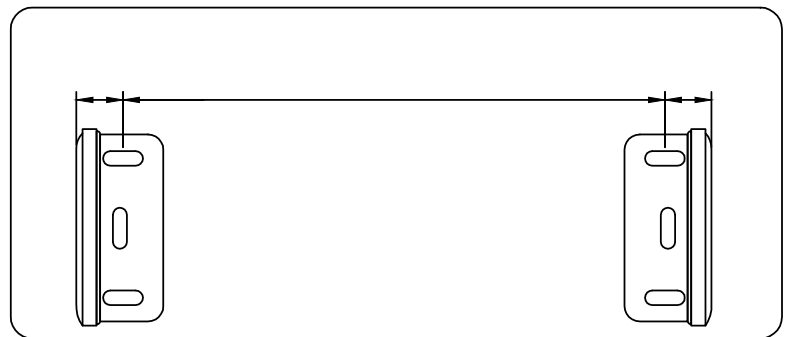


Fig. 2

STEP 2 Install the brackets

- A. Mount the brackets using 2 screws for each bracket.
- B. For inside mount, screw through the top of the bracket. For outside mount, screw through the backside of the bracket. *[Fig. 3]*

Note: Ensure that the brackets are level to avoid the fabric telescoping to one side which can damage the shade.

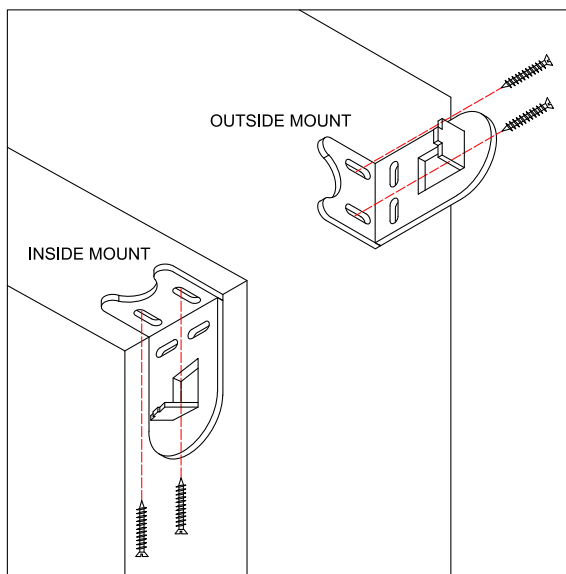


Fig. 3

STEP 3 Install the roller shade

A. Once the brackets are in place, proceed with the installation of the shade. *[Fig. 5 and Fig. 6]*

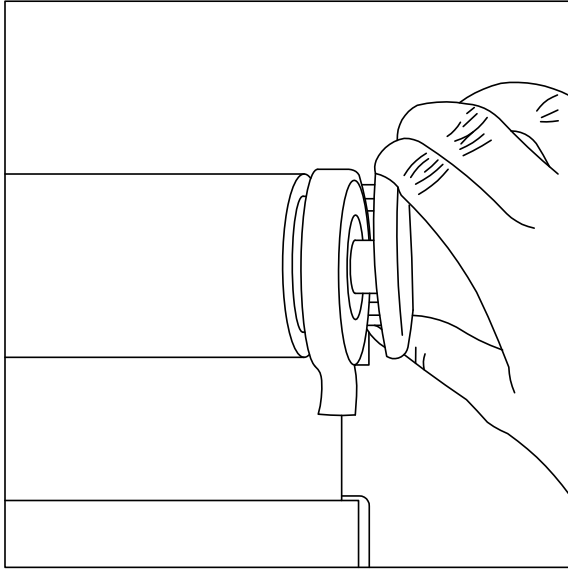


Fig. 5

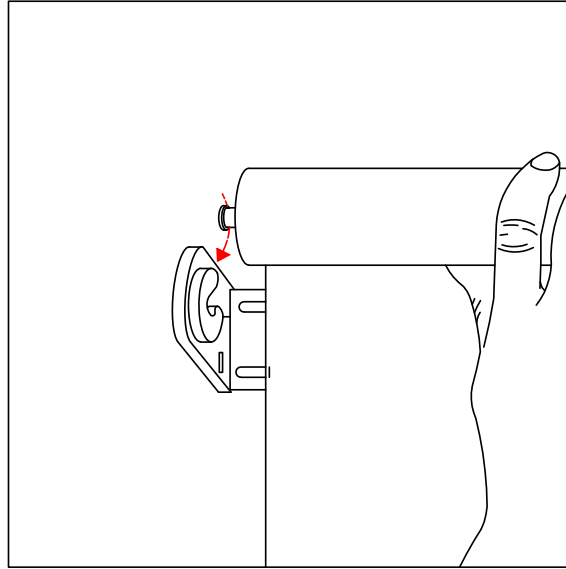


Fig. 6

STEP 4 Check the installation

- A. Check that the shade material is centered.
- B. Ensure the shade is horizontal.